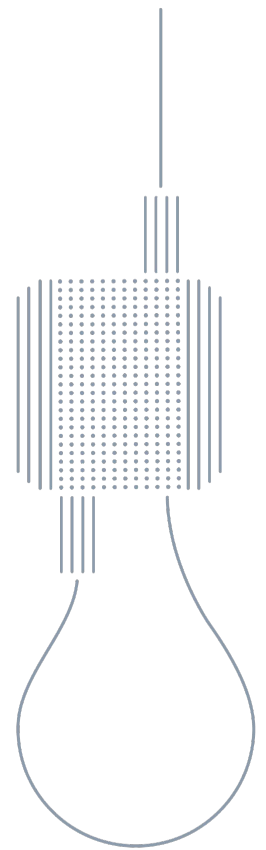


ZedFast LOOP END

Typically used for looping around beams, roof trusses, purlins and other structural building features.

Code	Product Description	Pack Size
Z21L	ZedFast suspension hanger, 2mm x 1m with loop end	10
Z22L	ZedFast suspension hanger, 2mm x 2m with loop end	10
Z23L	ZedFast suspension hanger, 2mm x 3m with loop end	10
Z24L	ZedFast suspension hanger, 2mm x 4m with loop end	10
Z26L	ZedFast suspension hanger, 2mm x 6m with loop end	4
Z210L	ZedFast suspension hanger, 2mm x 10m with loop end	4



Technical Information

- No tools required – adjust by hand
- Simple to use
- Ball bearing locking system onto the wire
- High tensile, pre-stretched
2mm (3/32”) wire rope

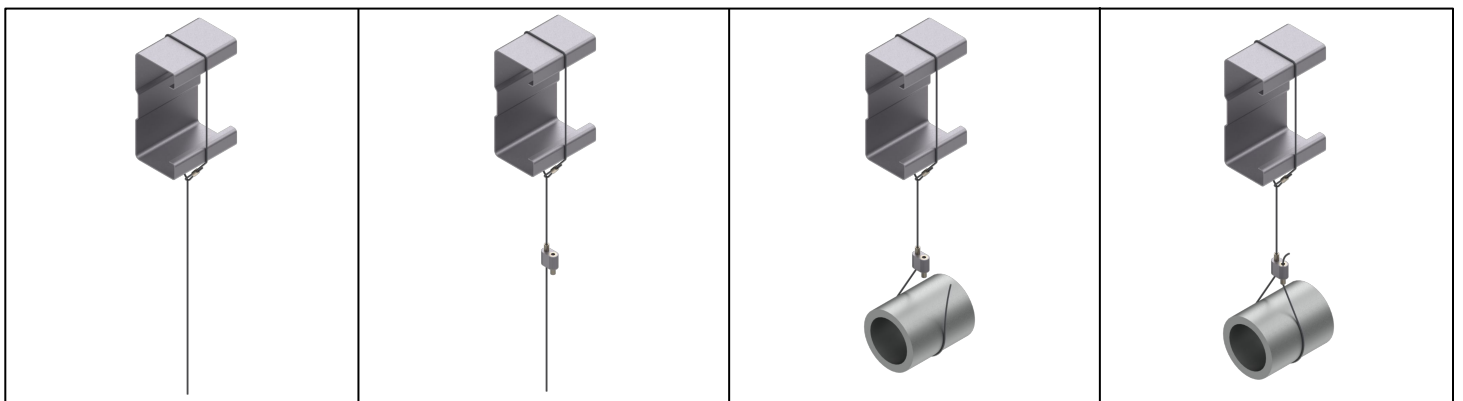
SWL
56kg at
5-1
safety
factor

Applications

Suitable for suspending:

- Pipework
- HVAC Equipment
- Lights
- Signs
- Cable Tray
- Cable Ladder

Installation



Step 1
Loop around purlin

Step 2
Wire through **ZedFast**

Step 3 Loop around
item to suspend

Step 4 Back through
ZedFast + adjust